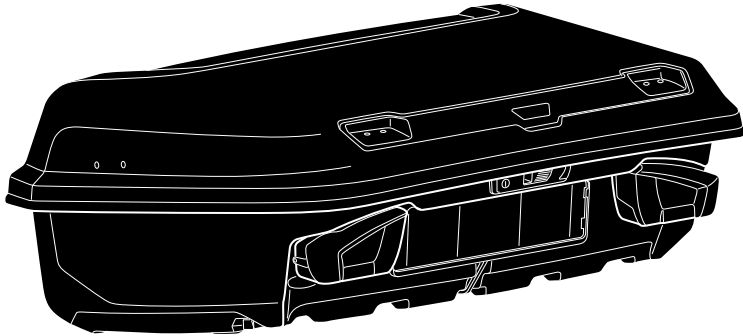


› Certifications



TYPE-APPROVAL CERTIFICATE
E4*26R04/00*0575*03

THE NETHERLANDS
(N E D E R L A N D)

COMMUNICATION

Concerning ⁽¹⁾:


- ~~approval granted~~
- approval extended
- ~~approval refused~~
- ~~approval withdrawn~~
- ~~production definitely discontinued~~

of a separate technical unit type of luggage rack, ~~ski rack or radio receiving or transmitting aerial~~ ⁽¹⁾.**Approval number: E4*26R04/00*0575*03**

1. Trade name or mark : Thule Sweden A.B.
2. Type : Arcos
3. Manufacturer's name and address : Thule Sweden AB
Borggatan 5
SE-33573 Hillerstorp
Sweden
4. If applicable, name and address of manufacturer's representative : n/a
5. Characteristics of the separate technical unit : Separate technical unit / Type of luggage rack
6. Limitations of use, if any, and assembly instructions : see Appendix 1 (Information folder); Annex 2:
Conditions and advices, limitations of use
7. Specimen required for approval of a separate technical unit submitted on : 16.12.2024
8. Technical service conducting approval tests : TÜV Rheinland Kraftfahrt GmbH
Am Grauen Stein
51105 Köln
Germany



Approval number: E4*26R04/00*0575*03

9. Date of report issued by that service : 16.12.2024
10. Number of report issued by that service : 225NP0003-03
11. Approval for separate technical unit has been ~~granted/extended/refused/withdrawn~~⁽¹⁾ in respect of luggage rack(s), ~~ski rack(s), radio receiving or transmitting aerial(s)~~⁽¹⁾.
12. Place : Zoetermeer
13. Date : 20 January 2025
14. Signature :
- 
15. The list of documents filed with the administration service which has granted approval and available on request is attached to this communication.

⁽¹⁾ Strike out what does not apply.

Thule Sweden AB

Borggatan 5, 335 73 Hillerstorp, SWE
info@thule.com | www.thule.com

© Thule Group. All rights reserved.
5565185001 | 2025-01-24 #00

» PART OF THULE GROUP